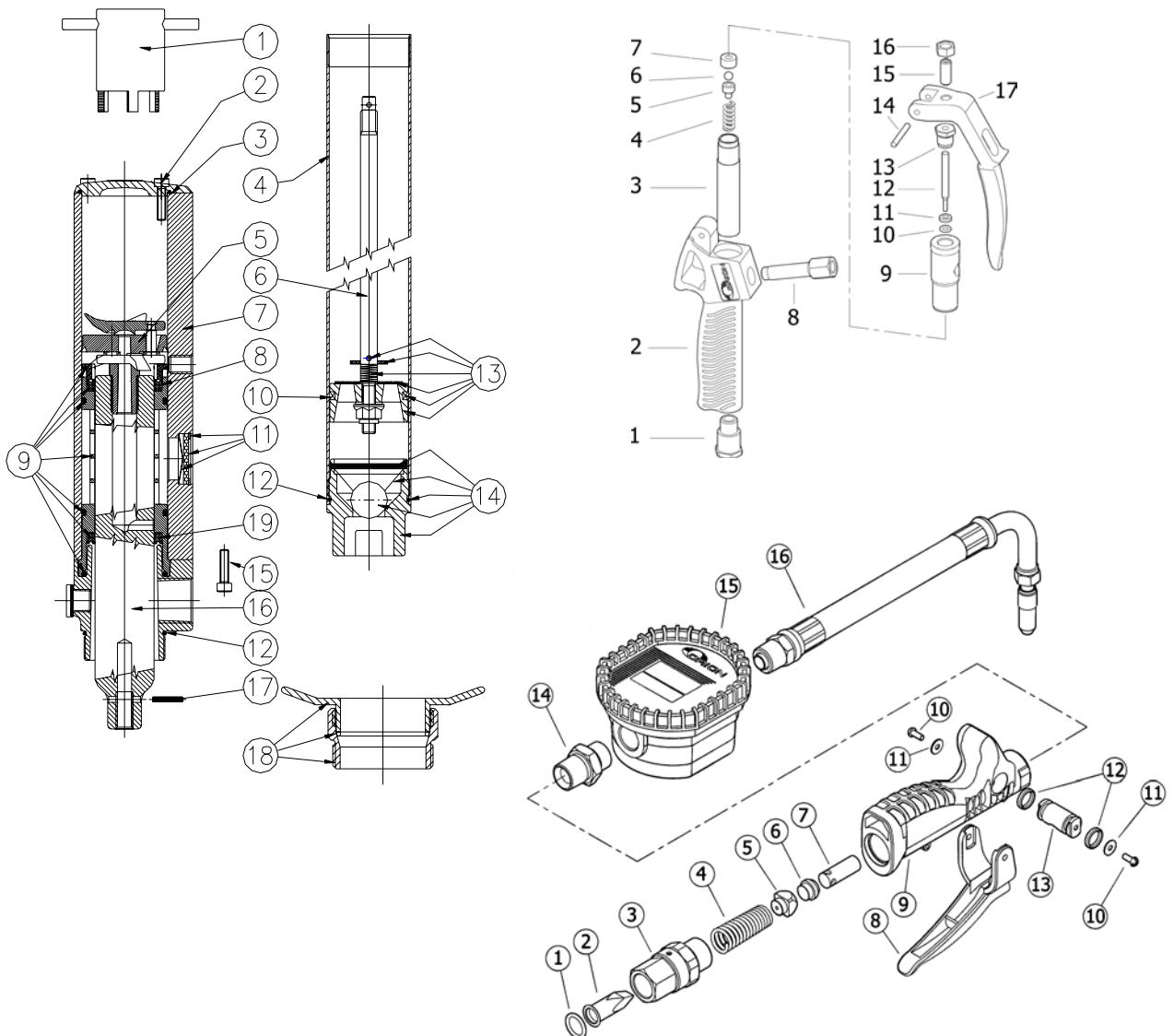


Index:

Grease Pumps 12550-52 and 12555-57	158
Oil Pumps 22700-05 and 22710-15	159
Oil Pumps- 22750-52 and 22760-62	160
Waste Oil Pumps 22702/4 and 22575/4	161
Fluid Pumps 22720 and 22770	162
Grease Control Valve 14612	163
Oil Control Valve 24680	163
Hose End / Preset and Line Meters	164
Hose End Meter 24780	165
Oil Control Valve 24560, 24561 and 24675	165
Hose Reels All Models	
CR-CRS-LOR-MR-OR-ORK-ORL-ORM	166-167

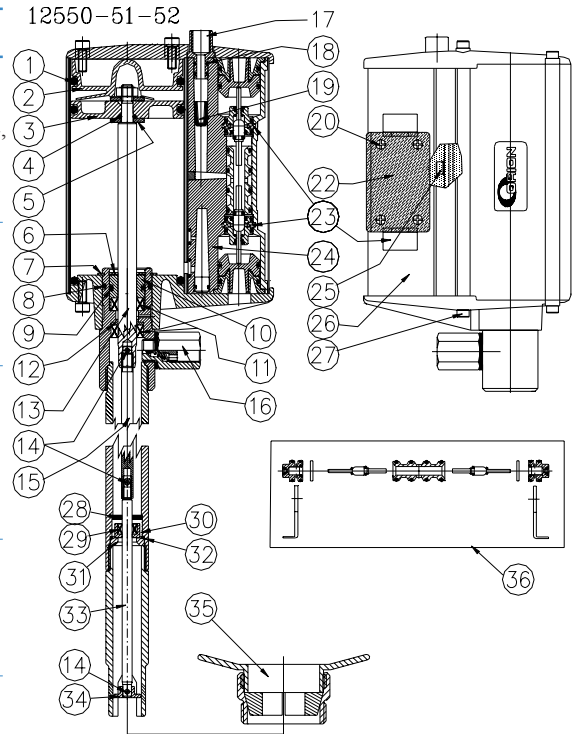
22700-22705



Spare Parts - I2550-51-52 and I2555-56-57

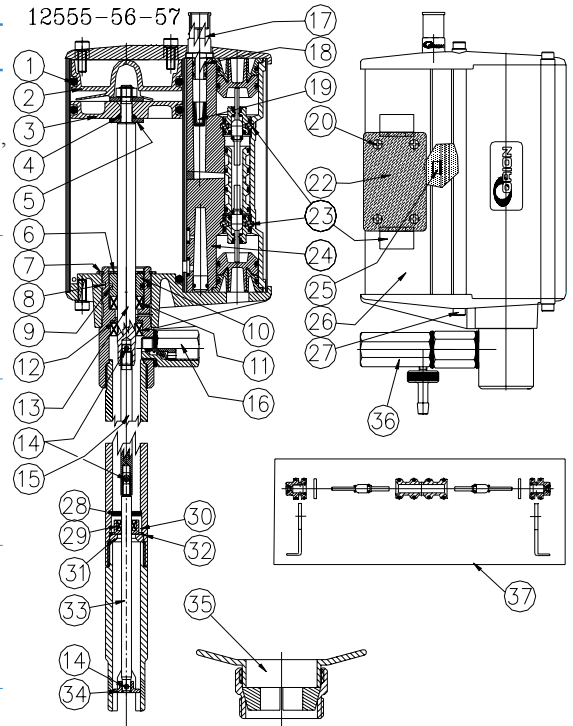
Grease Pump 55:I

Spare part	Kit nr	Item
Packing kit air motor	1425222	1, 4, 6, 7, 8, 9, 11
Service kit air motor	1425226	1, 3, 4, 5, 6, 7, 8, 9, 10, 11, 14, 17, 18, 19, 20, 22, 24, 25, 27
Mechanism	1425260	24 (incl. pos 17,18,19)
Air inlet kit	1425225	17, 18, 19
Service kit mechanism	1425293	36
Packing kit pump tube	1425240	11, 12, 14, 29, 33, 34
Service kit pump tube	1425227	11, 12, 13, 14, 28, 29, 30, 31, 32, 33
Inlet feed kit	1425229	14, 34
Check valve	1425230	16
Drum adapter	28591	35
Distance piston	1025145	2
Silencer	1025274	22
Protection cover	1025278	26



Grease Pump 75:I

Spare part	Kit nr	Item
Packing kit air motor	1425222	1, 4, 6, 7, 8, 9, 11
Service kit air motor	1425226	1, 3, 4, 5, 6, 7, 8, 9, 10, 11, 14, 17, 18, 19, 20, 22, 24, 25, 27
Mechanism	1425261	24 (incl. pos 17,18,19)
Air inlet kit	1425227	17, 18, 19
Service kit mechanism	1425293	37
Packing kit pump tube	1425241	11, 12, 14, 29, 33, 34
Service kit pump tube	1425228	11, 12, 13, 14, 28, 29, 30, 31, 32, 33
Inlet feed kit	1425229	14, 34
Check valve	1425230	16
Relief Valve	14533	36
Drum adapter	28591	35
Distance piston	1025145	2
Silencer	1025274	22
Protection cover	1025278	26

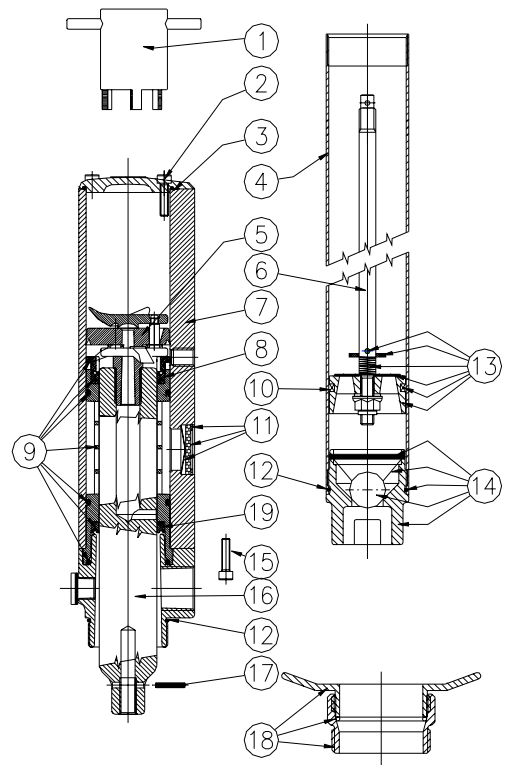


Spare Parts - 22700-05 and 22710-15

Oil Pump 1:1

Spare Part	Pump 22700	Pump 22705	Item
Assembly tool	2025978	2025978	1
Packing kit	2426098	2426098	8, 10, 12, 17, 19
Service kit air motor	2426099	2426099	2, 3, 9, 15, 16, 17
Mechanism	2125952	2125952	5
Air cylinder	2026070	2026070	7
Silencer kit	2126079	2126079	11
Service kit pump tube	2426100	2426100	12, 13, 17
Drum adapter	28595	28595	18
Foot valve	2125332	2125617	14
Pump tube	2426086	2426088	4, 10, 12, 17
Piston rod	2426101	2426089	6, 17

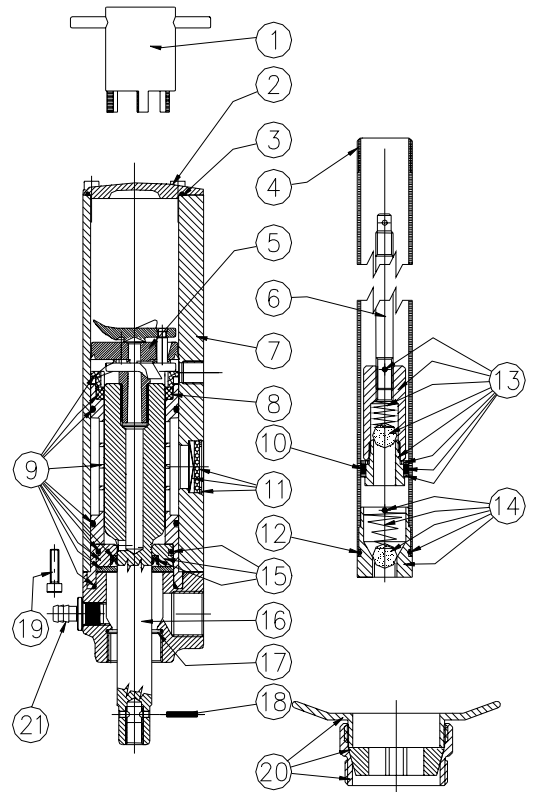
22700-22705



Oil Pump 3:1

Spare Part	Pump 22710	Pump 22715	Item
Assembly tool	2025978	2025978	1
Packing kit	2426102	2426102	8, 10, 12, 15, 17, 18
Service kit air motor	2426103	2426103	2, 3, 9, 16, 18, 19
Mechanism	2125952	2125952	5
Air cylinder	2026070	2026070	7
Silencer kit	2126079	2126079	11
Service kit pump tube	2426104	2426104	13, 17, 18
Drum adapter	28585	28585	20
Foot valve	2125215	2125196	14
Pump tube	2426105	2426107	4, 17, 18
Piston rod	2426106	2426108	6, 18

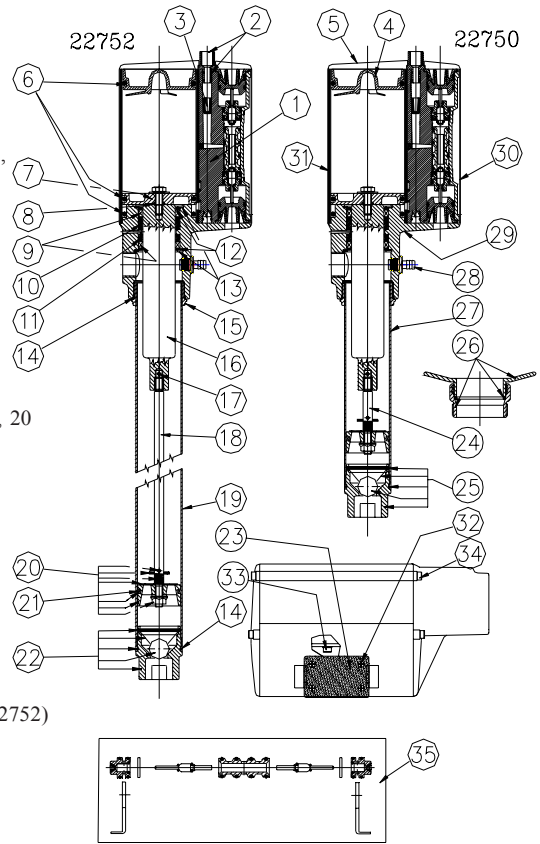
22710-22715



Spare Parts - 22750-52 and 22760-62

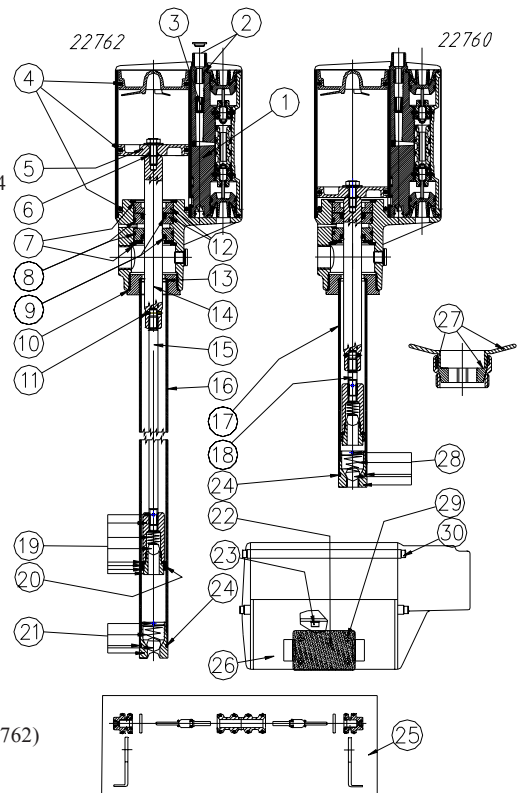
Oil Pump 5:l

Spare Part	Pump 22750	Pump 22752	Item
Packing kit air motor	2426083	2426083	6, 9, 10, 11, 14, 17
Service kit air motor	2426090	2426090	1, 6, 7, 8, 9, 10, 11, 12, 13, 14, 17, 23, 32, 33, 34
Mechanism	1425260	1425260	1
Air inlet kit	1425225	1425225	2, 3
Service kit mechanism	1425293	1425293	35
Central bar	2426092	2426092	8, 16, 17
Packing kit pump tube	2426084	2426084	14, 17, 21
Service kit pump tube	2426091	2426091	8, 9, 10, 11, 12, 13, 16, 17, 20
Piston kit	2426085	2426085	17, 20, 21
Pump tube adapter	2026262	2026262	15
Protection cover	1025278	1025278	30
Drum adapter	28595	28595	26
Pump body (outlet)	2026015	2026015	29
Foot valve	2125332	2125617	25 (22750)
Pump tube	2426286	2426287	14, 17, 21, 23 (22750) 19 (22752)
Piston rod	2426087	2426089	17, 24 (22750), 18 (22752)
Silencer	1025274	1025274	23
Air cylinder	1025196	1025196	31



Oil Pump 15:l

Spare Part	Pump 22760	Pump 22762	Item
Packing kit	2426116	2426116	4, 8, 9, 10, 11, 12, 13, 20, 24
Service kit air motor	2426117	2426117	1, 4, 5, 6, 7, 8, 9, 10, 11, 12, 13, 22, 23, 29, 30
Mechanism	1425260	1425260	1
Air inlet kit	1425225	1425225	2, 3
Service kit mechanism	1425293	1425293	25
Central bar	2426118	2426118	6, 11, 14
Service kit pump tube	2426119	2426119	7, 8, 9, 10, 11, 13, 14, 19
Piston kit	2426124	2426124	11, 13, 19
Drum adapter	28585	28585	27
Protection cover	1025278	1025278	26
Foot valve	2125215	2125196	28 (22760), 21 (22762)
Pump tube	2426120	2426122	11, 13, 24, 17 (22760), 16 (22762)
Piston rod	2426121	2426123	11, 18 (22760), 15 (22762)

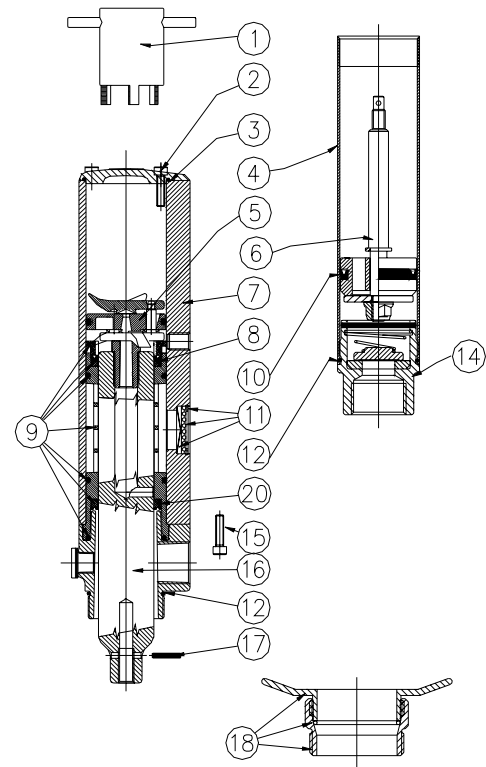


Spare Parts - 22702/4 and 22575/4

Suction and Waste Oil Pump 22702/4

Spare Part	Part No	Item
Assembly tool	2025978	1
Packing kit	2426306	8, 10, 12, 17, 20
Service kit air motor	2426099	2, 3, 9, 15, 16, 17
Mechanism	2126248	5
Air cylinder	2026070	7
Silencer kit	2126079	11
Drum adapter	28595	18
Foot valve	2126183	14
Pump tube	2026024	4
Piston compl	2226354	6, 17

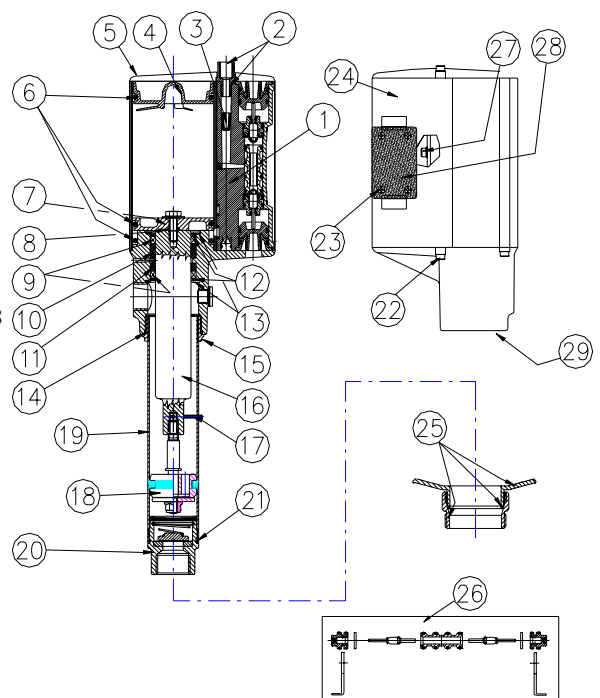
22702/4



Suction and Waste Oil Pump 5:1 22575/4

Spare Part	Part No	Item
Packing kit air motor	2426083	6, 9, 10, 11, 14, 17
Service kit air motor	2426090	1, 6, 7, 8, 9, 10, 11, 12, 13, 14, 17, 23, 32, 33, 34
Mechanism	1425260	1
Air inlet kit	1425225	2, 3
Service kit mechanism	1425293	26
Central bar	2426092	8, 16, 17
Service kit pump tube	2426091	8, 9, 10, 11, 12, 13, 16, 17, 18
Piston kit	2426085	17, 18
Pump tube adapter	2026262	15
Protection cover	1025278	24
Drum adapter	28595	25
Pump body (outlet)	2026015	29
Foot valve	2125332	20
Pump tube	2426286	14, 17, 19

22575/4

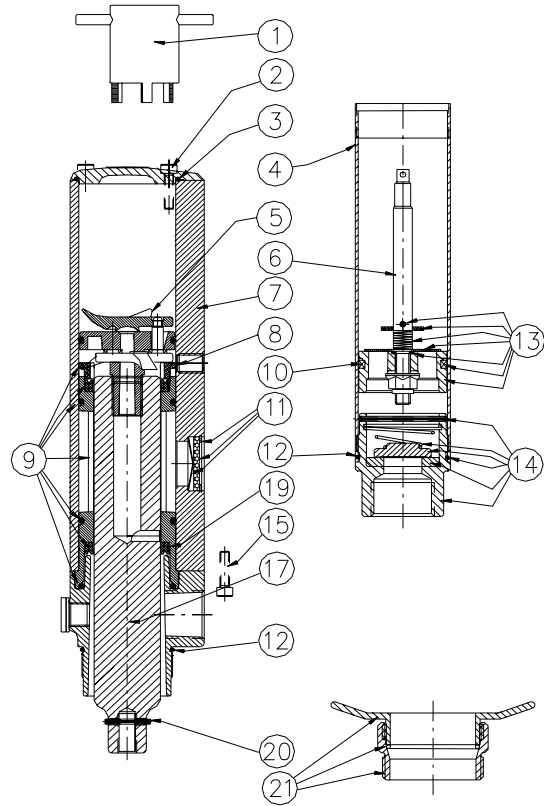


Spare Parts - 22720 and 22770

Fluid Pump 1:1

Spare Part	Part No	Item
Assembly tool	2025978	1
Packing kit	2426282	8, 10, 12, 19, 20
Service kit air motor	2426305	2, 3, 9, 12, 15, 17
Mechanism	2126241	5
Air cylinder	2026280	7
Silencer kit	2126079	11
Service kit pump tube	2426284	12, 13, 20
Drum adapter	28595	21
Foot valve	2126183	14
Pump tube	2426201	4, 10, 12, 20
Piston rod	2426202	6, 20
Central Bar	202 60 17	17
Suction tube	2226214	Not illustrated

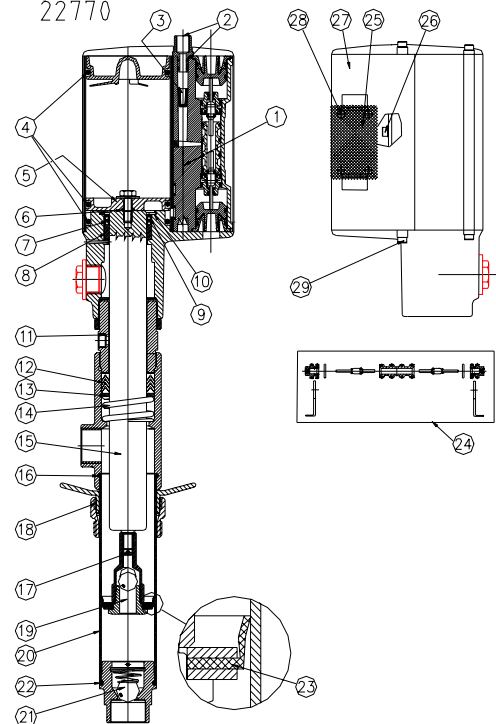
22720



Stainless Steel Pump 4:1

Spare Part	Part No	Item
Packing kit air motor	2426176	4, 7, 8
Service kit air motor	2426177	1, 4, 5, 6, 7, 8, 9, 10, 25, 26, 28, 29
Mechanism	1425260	1
Air inlet kit	1425225	2, 3
Service kit mechanism	1425293	24
Central bar	2426178	6, 15, 17
Packing kit pump tube	2425872	12, 16, 17, 22, 23
Box packing kit pump tube	2426179	11, 12, 13, 14, 16, 17
Piston Kit	2425875	17, 19, 23
Pump tube kit	2425876	16, 20, 22
Protection cover	1025278	30
Drum adapter	2125753	18
Foot valve	2125820	21, 22

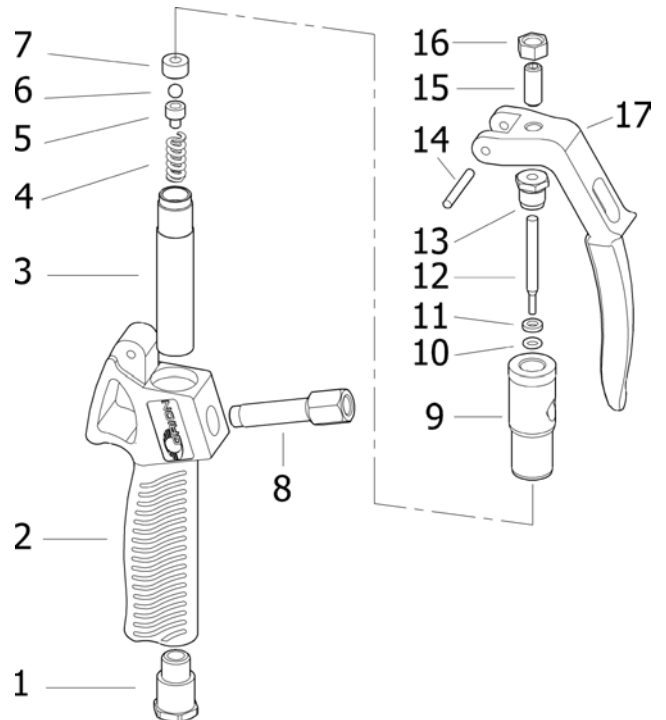
22770



Spare Parts - I4612 - 24680

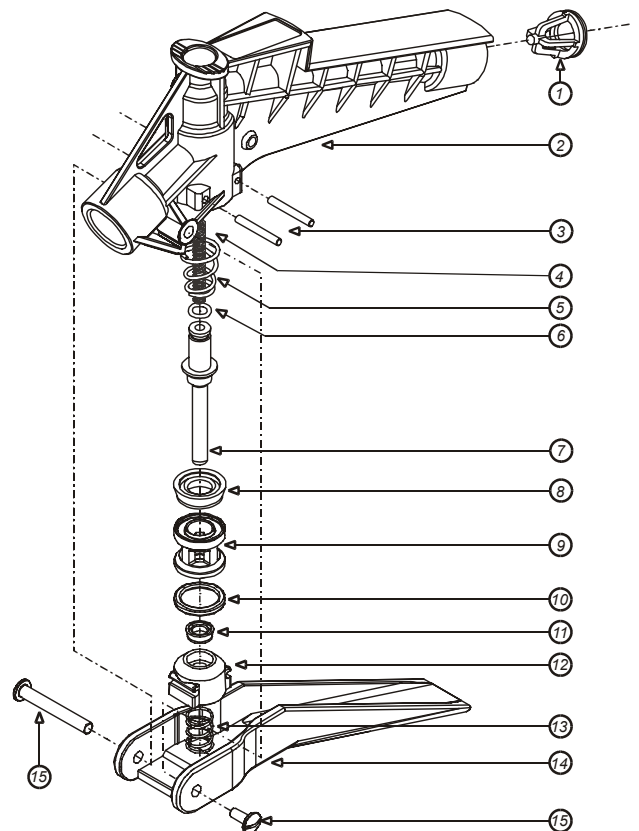
Grease Control Valve I4612

Item	Description	Part No
1	Inlet adapter	104 51 70
2	Handle body	-
3	Lower valve body	-
4	Spring	*)
5	Ball guide	*)
6	Ball	*)
7	Valve seat	*)
8	Outlet adapter	104 51 69
9	Upper valve body	-
10	O-ring	*)
11	Guide ring	*)
12	Opening shaft	*)
13	Packing screw	-
14	Pin	-
15	Adjustment screw	-
16	Nut	-
17	Trigger	104 51 71
18	Valve kit, pos 4-7 and 10-12	*)144 51 68
**)	Outlet tube	14715 Not in picture
**)	Hydraulic nozzle	14512 Not in picture

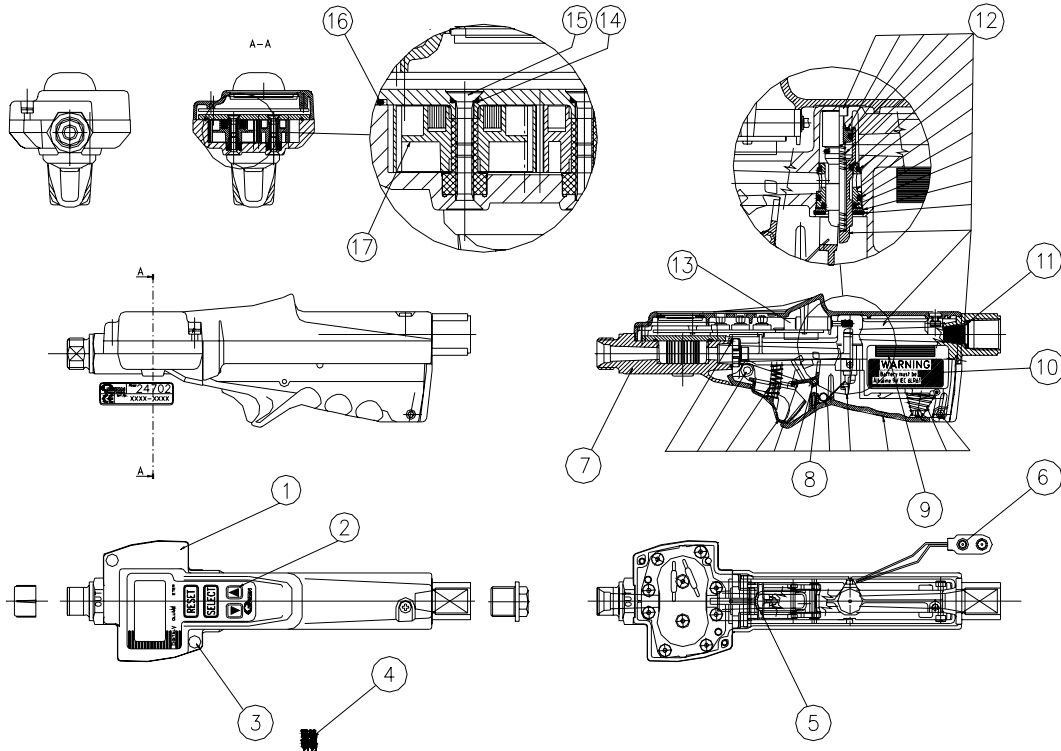


Oil Control Valve 24680

Item	Description	Part No
1	Inlet strainer	224 58 17
2	Body	-
3	Pin	-
4	Return spring 1	1)
5	Return spring 2	1)
6	O-ring	1)
7	Valve poppet	1)
8	Valve seat	1)
9	Valve sleeve	204 59 18
10	O-ring	1)
11	Seal	1)
12	Plug	204 59 20
13	Trigger spring	2)
14	Trigger	2)
15	Trigger shaft	2)
16	Valve kit	1)244 60 22
17	Trigger kit	2)244 60 23



Spare Parts - Hose End and Line Meters

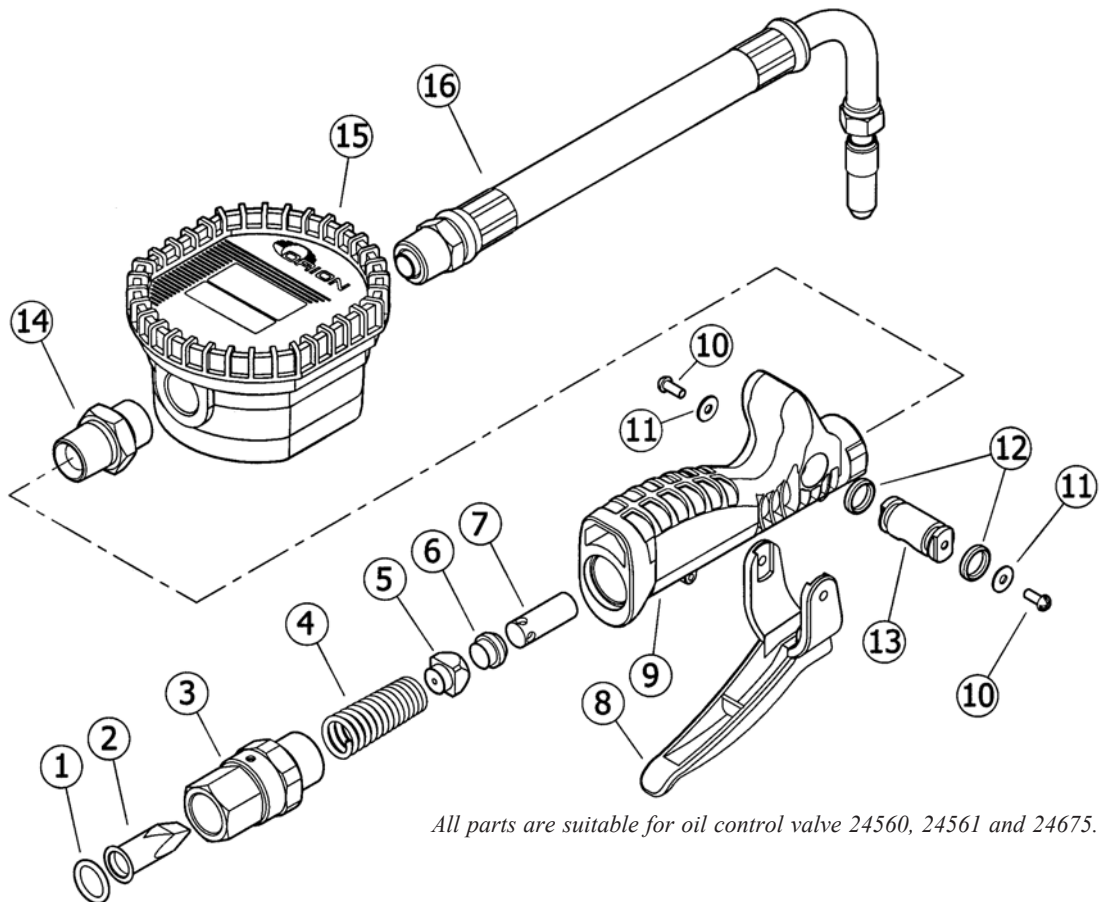


Hose End Meter, Preset Meter and Line Meter

Item	Description	Part No	Meter Model						
			24700	24702	24720	24721	24722	24728	24738
1	Cover with electronics	224 56 12	X						
		224 56 90		X					
		224 56 36			X				
		224 56 91				X			
		224 56 93					X		
		224 58 46						X	
		224 60 44							X
		204 58 90	X						
		204 58 91		X					
3	Security plug	204 57 14	X	X	X	X	X	X	X
4	Screw kit for electrical circuit board used when changing backup battery, (50 pcs)	234 56 26	X	X	X	X	X		
5	Support	204 55 94	X	X	X	X	X	X	X
6	Battery cable	234 60 21	X	X	X				
7	Meter chamber compl. *	2445819	X	X					
		24729			X	X	X	X	X
8	Trigger, compl.	244 57 07	X						
		244 57 06		X					
9	Battery support	204 57 49	X	X					
10	Battery 9V	224 56 34	X	X	X	NOTE! Battery must be model 6LR61			
11	Strainer	224 58 17	X	X					
12	Valve kit incl. security plug	244 59 09	X	X					
13	Backup battery	224 58 26	X	X	X	X	X		

*) Compl. with assembled measuring oval gear,(17) lid, 2 screws, (14 and 15) and sealing o-ring,(16)

Spare Parts - Hose End Meter 24680 and Oil Control Valve 24560,24561 and 24675



All parts are suitable for oil control valve 24560, 24561 and 24675.

Pos	Part No	Description	Pos	Part No	Description
1	O-ring	*) incl. in pos 3	10	Screw	-
2	Strainer	*) incl. in pos 3	11	Washer	-
3	Swivel and strainer	224 59 99	12	O-ring	1)
4	Spring	-	13	Cam	1)
5	Valve holder	-	14	Adapter	234 60 15
6	Valve	1)	15	Meter	24 790
7	Sleeve	1)	16	Outlet hose, complete	224 60 16
8	Trigger	204 60 13	1)	Repair kit incl. pos 6,7,12,13	1) 244 60 17
9	Body	-			

Notes:

Area with horizontal dotted lines for taking notes.